

see thoroughly,

insure safety

MOVIX series



mobile x-ray units

Simplicity

Manoeuvrability

Efficiency

stephani
RADIOLOGICAL SOLUTIONS



MOVIX series

mobile x-ray units

SIMPLICITY
SIMPLICITY



MOVIX series systems respond to all applications required in emergency rooms, intensive care units, patient bedside examinations, paediatrics ...

MOVIX provides the choice of operation with batteries, MOVIX series, or with capacitors, MOVIX Pro series. Available in various output powers from 16 to 50 kW with minimum exposure times of 0.1 mAs, they are ideal for general radiography, as well as intensive care and paediatric applications.

MANOEUVRABILITY
MANOEUVRABILITY

see thoroughly, insure safety

MOVIX arm has a **wide range** of movements.

Combined rotational controls, arm extension and vertical tube movements allow one step unit positioning with up to 3 m² area coverage.

The x-ray tube and the collimator movements facilitate

all positioning required for conventional and special examinations, including both standing and prostrated patients. The sophisticated mechanical engineering of the system enables fast, precise and smooth positioning.



EFFICIENCY EFFICIENCY

A state-of-the-art **ergonomically designed console**

(touch screen available up to the model) allows operator selection to work in either three points (kV, mA, time), two points (kV, mAs) and optional one point (kV, AEC) modes.

Simple and fast to use, the mobile unit also includes anatomical programming capable of storing and displaying 492 customised views.

Optional connections to Bucky and ionisation chamber are also available when required for chest stand or table procedures.



The **motorised mobile units** can easily move backwards or forwards by conveniently located buttons at the top of the handles.

The operator can stage the exam without even disturbing the patient.



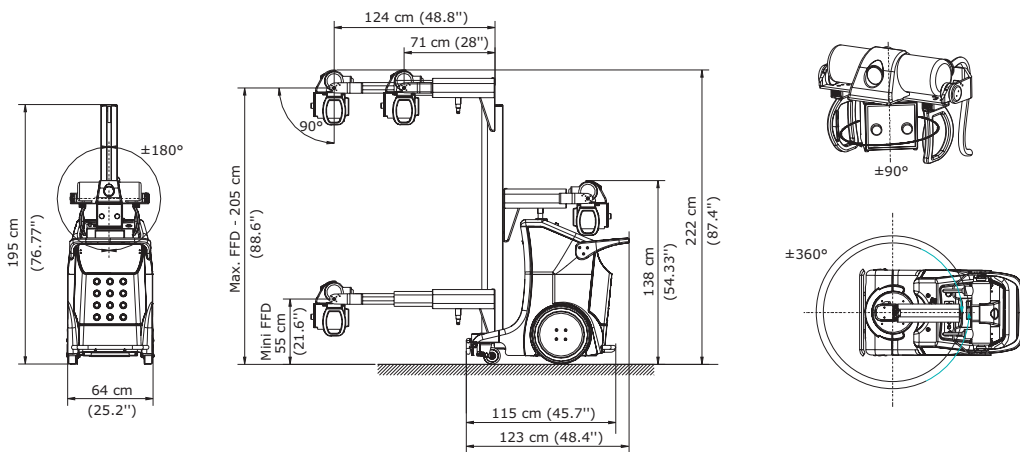
Technical specifications

Mobiles with battery powered generators

	MOVIX 20	MOVIX 30	MOVIX 40	MOVIX 50
Power	20 kW	32 kW	40 kW	50 kW
kV	from 40 to 125 kV	from 40 to 150 kV		
mAs	from 0.1 to 500 mAs			
mA	from 10 to 320 mA	from 10 to 500 mA		
Time	from 0.001 to 10 s			
Anatomical programming	492 views			
X-ray tube	rotating anode			
Focal spots	0.3 mm and 1.0 mm		0.6 mm and 1.2 mm	
Heat storage	140,000 HU		150,000 HU	300,000 HU
Anode angle	12°			
Power supply	Single phase from 110 to 230 VAC (+/- 10%), 50 / 60 Hz			
Dimensions and weight	123 x 64 x 195 cm (transport position) - 438 kg			
Motor driven	standard			
Touch screen	option	standard		
AEC	option			

Mobiles with capacitor assisted generators

	MOVIX 16 Pro	MOVIX 20 Pro	MOVIX 30 Pro	MOVIX 40 Pro	MOVIX 50 Pro
Power	16 kW	20 kW	32 kW	40 kW	50 kW
kV	from 40 to 125 kV			from 40 to 150 kV	
mAs	from 0.1 to 250 mAs	from 0.1 to 320 mAs	from 0.1 to 500 mAs		
mA	from 10 to 250 mA	from 10 to 320 mA	from 10 to 500 mA		
Time	from 0.001 to 10 s				
Anatomical programming	492 views				
X-ray tube	rotating anode				
Focal spots	0.3 mm and 1.0 mm			0.6 mm and 1.2 mm	
Heat storage	140,000 HU			150,000 HU	300,000 HU
Anode angle	12°				
Power supply	Single phase from 110 to 230 VAC (+/- 10%), 50 / 60 Hz				
Dimensions	123 x 64 x 195 cm (transport position)				
Weight	320 kg			370 kg	
Motor driven	option			standard	
Touch screen	option			standard	
AEC	option				



Head Office
 47- 49, rue Eugène Beaune
 42005 Saint-Etienne cedex 01 - FRANCE
 Tel : + 33 4 77 47 81 60
 Fax : + 33 4 77 37 55 19

www.stephanix.com

Export Department
 15, rue du Saule Trapu
 91882 Massy cedex - FRANCE
 Tel : + 33 1 60 13 56 25
 Fax : + 33 1 60 13 56 30